

UL-P

Fan coil unit for ducted installations



- Very quiet
- Ideal for residential or office solutions
- Version with Coldplasma Air purifier



DESCRIPTION

Monobloc duct type fan coils for heating and/or cooling small and medium-sized environments for civil and commercial use. It can be installed on 2-pipe systems and combined with any heat generator even at low temperatures. Choosing the optimal solution for any requirement is easy thanks to the various versions available and to the possibility of horizontal or vertical installation, depending on the version.

VERSIONS

- P** Without shell, vertical and horizontal installation, lower intake, without commands
- PAF** Without shell, vertical and horizontal installation, front intake, without commands

FEATURES

Ventilation group

Comprised of a dual intake centrifugal fan that is particularly silent, statically and dynamically balanced and directly coupled to the motor shaft.

The electric motor is single-phase multi-speed (3 selectable), mounted on anti-vibration supports and with a permanently inserted capacitor.

Heat exchanger coil

With copper pipes and aluminium fins, the main coil has female gas water connections on the left side and the manifolds have air vents. The coil is not suitable for use in corrosive atmosphere or in environments where aluminium may be subject to corrosion.

- *The hydraulic connections can be inverted during installation.*

Condensate drip

Provided standard in plastic and fixed to the interior structure; with external condensate discharge.

Air filter

The fan coils have, as standard, precharged electrostatic filters. These filters, thanks to their special execution, attracts and retains all suspended dust particles, thus guaranteeing pure breathable air to the whole family.

ACCESSORIES

Control panels

AER503IR: Flush-mounting thermostat with backlit display, capacitive keypad and infrared receiver, for controlling both brushless fan coils and those with an asynchronous motor. In 2-pipe systems, the thermostat can control standard fan coils or those equipped with an electric heater, with air purifying devices (Cold Plasma and germicidal lamp), with radiant plate or with FCZ-D twin delivery (Dualjet). In addition, it can control systems with radiant panels or mixed (fan coil and radiant floor) systems. Being equipped with an infrared receiver, it can, in turn, be controlled by the VMF-IR remote control.

PRO503: Wall box for AER503IR and VMF-E4 thermostats.

SA5: air probe kit (L = 15 m) with probe-locking cable grommet.

SIT3: Thermostat Interface Card allowing the creation of a network of fan coils (max. 10) commanded by a central control panel (selector or thermostat). Commands the 3 fan speeds and must be installed on each fan coil within the network; receives the commands from the selector or the SIT5 card.

SIT5: Thermostat Interface Card allowing the creation of a network of fan coils (max. 10) commanded by a central control panel. Commands the 3 fan speeds and up to 2 valves (four pipe systems); sends the thermostat's commands to the fan coil network.

SW5: water probe kit (L = 15m) with probe-holder connection point, fixing clip and probe-holder from heat exchanger.

TX: Wall-mounting thermostat for controlling either brushless fan coils or those with asynchronous motors. In 2-pipe systems, the thermostat can control standard fan coils or those equipped with an electric heater, with air purifying devices, radiant plate or FCZ-D twin delivery (Dualjet).

WMT05: Electronic thermostat with thermostated ventilation.

WMT10: Electronic thermostat, white, with thermostated or continuous ventilation.

VMF system

VMF-E0X: Thermostat to be secured to the side of the fan coil, fitted as standard with an air probe and a water probe.

VMF-E2D: User interface on the machine, to be combined with the VMF-E19 accessory.

VMF-E3: Wall mounted user interface, to be combined with accessories VMF-E19, VMF-E19I, VMF-E0X with grids GLF_N/M and GLL_N, can be controlled with VMF-IR control.

VMF-E4DX: Wall-mounted user interface. Grey front panel PANTONE 425C (METAL).

VMF-E4X: Wall-mounted user interface. Light grey front panel PANTONE COOL GRAY 1C.

VMF-IR: User interface compatible with the AER503IR thermostat and with all the grids of cassettes equipped with the infrared receiver compatible with the VMF system.

Common accessories

DSC: Condensate drainage device.

VCH: 3-way motorised valve kit. The kit consists of a valve, an actuator and the relative pipe fittings. It can be installed on fan coils with both right and left connections.

VCHD: 2-way motorised valve kit. The kit consists of a valve, an actuator and the relative pipe fittings. It can be installed on fan coils with both right and left connections.

BC: Condensate drip.

Ventilcassaforma: Galvanised sheet metal template. It makes it possible to obtain directly in the wall a space for housing the fan coil.

GUIDE TO SELECTING THE POSSIBLE CONFIGURATIONS

Omnia ULP

Field	Description
1,2,3	ULP
4,5	Size 11, 16, 26, 36
6	Version
p	Without shell, vertical and horizontal installation, lower intake, without commands
PAF	Without shell, vertical and horizontal installation, front intake, without commands

ACCESSORIES COMPATIBILITY

Control panels and dedicated accessories - Omnia ULP

Model	Ver	11	16	26	36
AER503IR (1)	P,PAF	*	*	*	*
PRO503	P,PAF	*	*	*	*
SA5 (2)	P,PAF	*	*	*	*
SIT3 (3)	P,PAF	*	*	*	*
SITS (4)	P,PAF	*	*	*	*
SW5 (2)	P,PAF	*	*	*	*
TX (1)	P,PAF	*	*	*	*
WMT05	P,PAF	*	*	*	*
WMT10	P,PAF	*	*	*	*

(1) Wall-mount installation.

(2) Probe for AER503IR-TX thermostats, if fitted.

(3) Cards for AER503IR-TX thermostats, if present, to be installed if the unit absorption exceeds 0,7 Ampere.

(4) Probe for AER503IR-TX thermostats, if fitted.

VMF system - Omnia ULP

Model	Ver	11	16	26	36
VMF-E0X (1)	P,PAF	*	*	*	*
VMF-E19	P,PAF	*	*	*	*
VMF-E3	P,PAF	*	*	*	*
VMF-E4DX	P,PAF	*	*	*	*
VMF-E4X	P,PAF	*	*	*	*
VMF-IO	P,PAF	*	*	*	*
VMF-IR	P,PAF	*	*	*	*
VMF-LON	P,PAF	*	*	*	*
VMF-SW	P,PAF	*	*	*	*
VMF-SW1	P,PAF	*	*	*	*

(1) Also the accessory VMF-SIT3V is mandatory if the unit exceeds 0.7 Amperes.

Condensate drip

Model	Ver	11	16	26	36
BC10 (1)	P,PAF	*	*	*	*
BC20 (2)	P,PAF	*	*	*	*

(1) For vertical installation.

(2) For horizontal installation.

Condensate drainage

Model	Ver	11	16	26	36
DSC5 (1)	P,PAF	*	*	*	*

(1) The accessory cannot be fit if the accessory BC10 or BC20 is installed.

Model	Ver	11	16	26	36
VCH	P,PAF	*	*	*	*

2 way valve kit

Model	Ver	11	16	26	36
VCHD	P,PAF	*	*	*	*

PERFORMANCE SPECIFICATIONS

2-pipe

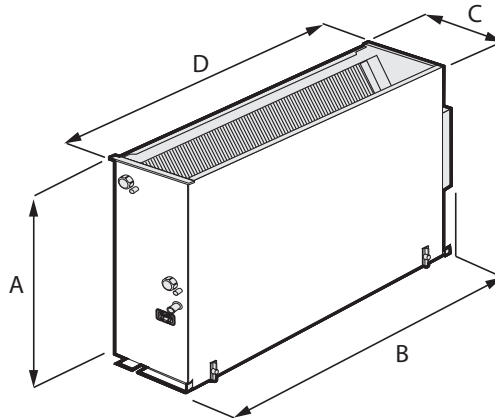
	UL11P			UL16P			UL26P			UL36P			
	1	2	3	1	2	3	1	2	3	1	2	3	
	L	M	H	L	M	H	L	M	H	L	M	H	
Heating performance 70 °C / 60 °C (1)													
Heating capacity	kW	1,06	1,46	2,01	1,54	2,12	2,91	2,89	3,83	4,62	3,63	4,87	5,94
Water flow rate system side	l/h	93	128	176	135	186	255	254	336	405	310	427	521
Pressure drop system side	kPa	1,0	1,0	2,0	1,0	2,0	4,0	5,0	8,0	11,0	3,0	5,0	7,0
Heating performance 45 °C / 40 °C (2)													
Heating capacity	kW	0,52	0,73	1,00	0,76	1,05	1,44	1,44	1,90	2,29	1,75	2,42	2,95
Water flow rate system side	l/h	92	126	174	133	183	251	249	331	399	305	420	513
Pressure drop system side	kPa	1,0	1,0	2,0	2,0	3,0	3,0	5,0	8,0	11,0	7,0	13,0	18,0
Cooling performance 7 °C / 12 °C (3)													
Cooling capacity	kW	0,53	0,67	0,82	0,69	0,87	1,17	1,26	1,65	1,99	1,63	2,26	2,79
Sensible cooling capacity	kW	0,38	0,52	0,68	0,52	0,69	0,96	0,97	1,30	1,61	1,13	1,59	2,00
Water flow rate system side	l/h	94	117	145	122	153	206	220	289	349	286	394	487
Pressure drop system side	kPa	1,0	2,0	2,0	2,0	3,0	5,0	5,0	8,0	11,0	7,0	13,0	19,0
Fan													
Type	type	Centrifugal											
Fan motor	type	Asynchronous											
Number	no.	1			1			2			2		
Air flow rate	m ³ /h	80	120	180	110	160	240	190	270	350	240	350	460
Input power	W	8	12	18	23	25	32	24	27	35	30	35	42
Electrical wiring		V1	V2	V3	V1	V2	V3	V1	V2	V3	V1	V2	V3
Diameter hydraulic fittings													
Main coil	∅	1/2"											
Water coil													
Water content main coil	l	0,3			0,4			0,6			0,8		
Power supply													
Power supply		230V~50Hz											

(1) Room air temperature 20 °C d.b.; Water (in/out) 70 °C/60 °C

(2) Room air temperature 20 °C d.b.; Water (in/out) 45 °C/40 °C; EUROVENT

(3) Room air temperature 27 °C d.b./19 °C w.b.; Water (in/out) 7 °C/12 °C; EUROVENT

DIMENSIONS



		UL11P	UL16P	UL26P	UL36P
Dimensions and weights					
A	mm	465	465	465	465
B	mm	420	530	761	981
C	mm	171	171	171	171
D	mm	360	470	701	921
Net weight	kg	10	12	15	18

Aermec reserves the right to make any modifications deemed necessary. All data is subject to change without notice. Aermec does not assume responsibility or liability for errors or omissions.

Aermec S.p.A.

Via Roma, 996 - 37040 Bevilacqua (VR) - Italia
Tel. 0442633111 - Telefax 044293577
www.aermec.com