

NRG 0800-2400

Air-water chiller

Cooling capacity 225,7 ÷ 725,0 kW

- High efficiency also at partial loads
- Reduced amount of refrigerant
- Night mode



DESCRIPTION

Air-cooled outdoor chiller designed to meet air conditioning needs in residential/commercial complexes or industrial applications.

These are outdoor units with streamlined scroll compressors used with R32 gas axial fan, microchannel batteries and plate exchangers.

The base, the structure and the panels are made of galvanized steel treated with polyester paint RAL 9003.

VERSIONS

- ° Standard
- A High efficiency
- E Silenced high efficiency
- L Standard silenced
- N Silenced very high efficiency
- U Very high efficiency

FEATURES

Operating field

Operation at full load up to 49°C external air temperature. Unit can produce chilled water up to -10 °C in some versions.

For more information refer to the selection program and to the dedicated documentation.

Dual-circuit unit

The units are dual-circuit, to ensure maximum efficiency both at full load and at partial load.

Refrigerant HFC R32

The environmental impact of the units is reduced considerably owing to the last generation R32 refrigerant.

Combining a reduced refrigerant load with a low global warming potential (GWP), these units boast low equivalent CO₂ values.

The leak detector is supplied as per standard.

Use refrigerant fluid R32, whose classification according to ISO 817 is A2L (non-toxic, odourless and slightly flammable refrigerant).

Aluminium microchannel coils

The microchannel condensing aluminum coils ensure high levels of efficiency, reduced quantities of refrigerant and lower unit weight. The treatment

"O" available as configurator it ensures high resistance to corrosion even in the most aggressive environments.

Electronic expansion valve

The possibility to use electronic expansion valve, offers significant benefits, especially when the chiller is working with partial loads, increasing the energy seasonal efficiency of the unit.

Option integrated hydronic kit

An optional, integrated hydronic kit containing the main hydraulic components, to obtain a solution that allows you to save money and to facilitate installation.

It's available in various configurations, with storage tank or pumps.

CONTROL

Microprocessor adjustment, with 7", touch screen keyboard, which allows to navigate intuitively among the various screens, allowing to modify the operating parameters and graphically view the progress of some variables in real time and the adjustment includes complete management of the alarms and their log.

- Possibility to control two units in a Master-Slave configuration
- The presence of a programmable timer allows functioning time periods and a possible second set-point to be set.
- The temperature control takes place with the integral proportional logic, based on the water output temperature.
- **Floating HP control:** the function can be activated with inverter fans or with DCPX which allows unit operation to be optimised at any operating point through continuous modulation of the fan speed. In addition, the use of inverter fans ensures an increase in energy efficiency at partial loads.
- **Night Mode:** it is possible to set a silenced operation profile. Perfect for night operation since it guarantees greater acoustic comfort in the evenings, and a high efficiency in the time of greater load.

ACCESSORIES

AER485P1: RS-485 interface for supervision systems with MODBUS protocol.

AERBACP: Ethernet communication Interface for protocols Bacnet/IP, Modbus TCP/IP, SNMP

AERNET: The device allows the control, the management and the remote monitoring of a Chiller with a PC, smartphone or tablet using Cloud connection. AERNET works as Master while every unit connected is configured as Slave (max. 6 unit); also, with a simple click is possible to save a log file with all the connected unit datas in the personal terminal for post analysis.

FL: Flow switch.

MULTICHILLER_EVO: Control, switch-on and switch-off system of the single chillers where multiple units are installed in parallel, always ensuring constant flow rate to the evaporators.

PGD1: Allows you to control the unit at a distance.

AVX: Spring anti-vibration supports.

DCPX: Device for condensation temperature control, with continuous speed modulation of fans by using a pressure transducer.

FACTORY FITTED ACCESSORIES

DRE: Electronic device for peak current reduction.

RIF: Power factor correction. Connected in parallel to the motor allowing about 10% reduction of input current.

GP_: Anti-intrusion grid kit

T6: Double safety valve with exchange cock, both on the high and low pressure branches.

ACCESSORIES COMPATIBILITY

Model	Ver	0800	0900	1000	1100	1200	1400	1600	1800	2000	2200	2400
AER485P1	°A,E,L,N,U	*	*	*	*	*	*	*	*	*	*	*
AERBACP	°A,E,L,N,U	*	*	*	*	*	*	*	*	*	*	*
AERNET	°A,E,L,N,U	*	*	*	*	*	*	*	*	*	*	*
FL	°A,E,L,N,U	*	*	*	*	*	*	*	*	*	*	*
MULTICHILLER_EVO	°A,E,L,N,U	*	*	*	*	*	*	*	*	*	*	*
PGD1	°A,E,L,N,U	*	PGD1	*	*	*	*	*	*	*	*	*

Antivibration

Ver	0800	0900	1000	1100	1200	1400	1600	1800	2000	2200	2400
Integrated hydronic kit: 00											
°	AVX1125	AVX1125	AVX1125	AVX1125	AVX1127	AVX1127	AVX1127	AVX1129	AVX1130	AVX1130	AVX1138
A,L	AVX1125	AVX1125	AVX1127	AVX1127	AVX1127	AVX1143	AVX1143	AVX1138	AVX1138	AVX1150	AVX1150
E,U	AVX1127	AVX1127	AVX1127	AVX1143	AVX1143	AVX1148	AVX1148	AVX1136	AVX1139	AVX1139	AVX1141
N	AVX1143	AVX1143	AVX1143	AVX1148	AVX1148	AVX1148	AVX1136	AVX1139	AVX1141	AVX1141	AVX1145
Integrated hydronic kit: AA, AB, AC, AD, AE, AF, AG, AH, AI, AJ, BA, BB, BC, BD, BE, BF, BG, BH, BI, BJ, CA, CB, CC, CD, CE, CF, CG, CH, CI, CJ, KA, KB, KC, KD, KE, KF, KG, KH, KI, KJ											
°	AVX1126	AVX1126	AVX1126	AVX1126	AVX1128	AVX1128	AVX1128	AVX1131	AVX1131	AVX1131	AVX1135
A,L	AVX1126	AVX1126	AVX1128	AVX1128	AVX1128	AVX1147	AVX1147	AVX1135	AVX1135	AVX1137	AVX1137
E,U	AVX1128	AVX1128	AVX1128	AVX1147	AVX1147	AVX1135	AVX1135	AVX1137	AVX1140	AVX1140	AVX1142
N	AVX1147	AVX1147	AVX1147	AVX1135	AVX1135	AVX1135	AVX1137	AVX1140	AVX1142	AVX1142	AVX1146
Integrated hydronic kit: DA, DB, DC, DD, DE, DF, DG, DH, DI, DJ, IA, IB, IC, ID, IE, IF, IG, IH, II, IJ, JA, JB, JC, JD, JE, JF, JG, JH, JI, JJ, PA, PB, PC, PD, PE, PF, PG, PH, PI, PJ											
°	AVX1125	AVX1125	AVX1125	AVX1125	AVX1126	AVX1126	AVX1126	AVX1132	AVX1132	AVX1132	AVX1133
A,L	AVX1125	AVX1125	AVX1126	AVX1126	AVX1126	AVX1144	AVX1144	AVX1134	AVX1138	AVX1150	AVX1150
E,U	AVX1126	AVX1126	AVX1126	AVX1144	AVX1144	AVX1149	AVX1149	AVX1136	AVX1139	AVX1139	AVX1141
N	AVX1144	AVX1144	AVX1144	AVX1149	AVX1149	AVX1149	AVX1136	AVX1139	AVX1141	AVX1141	AVX1145

Condensation control temperature

Ver	0800	0900	1000	1100	1200	1400	1600	1800	2000	2200	2400
Fans: M											
°	DCPX161	DCPX161	DCPX161	DCPX161	DCPX163	DCPX163	DCPX163	DCPX165	DCPX165	DCPX165	DCPX167
A	DCPX161	DCPX161	DCPX163	DCPX163	DCPX163	DCPX165	DCPX165	DCPX167	DCPX167	DCPX169	DCPX169
E,L,N	As standard	As standard	As standard	As standard	As standard	As standard	As standard	As standard	As standard	As standard	As standard
U	DCPX163	DCPX163	DCPX163	DCPX165	DCPX165	DCPX167	DCPX167	DCPX169	DCPX171	DCPX171	DCPX172

Device for peak current reduction

Ver	0800	0900	1000	1100	1200	1400	1600	1800	2000	2200	2400
°A,E,L,N,U	DRENRG0800	DRENRG0900	DRENRG1000	DRENRG1100	DRENRG1200	DRENRG1400	DRENRG1600	DRENRG1800	DRENRG2000	DRENRG2200	DRENRG2400

A grey background indicates the accessory must be assembled in the factory

Power factor correction

Ver	0800	0900	1000	1100	1200	1400	1600	1800	2000	2200	2400
°A,E,L,N,U	RIFNRG0800	RIFNRG0900	RIFNRG1000	RIFNRG1100	RIFNRG1200	RIFNRG1400	RIFNRG1600	RIFNRG1800	RIFNRG2000	RIFNRG2200	RIFNRG2400

A grey background indicates the accessory must be assembled in the factory

Anti-intrusion grid

Ver	0800	0900	1000	1100	1200	1400	1600	1800	2000	2200	2400
°	GP2VN	GP2VN	GP2VN	GP2VN	GP3G	GP3G	GP3G	GP4G	GP4G	GP4G	GP5G
A,L	GP2VN	GP2VN	GP3G	GP3G	GP3G	GP4GM	GP4GM	GP5G	GP5G	GP6G	GP6G
E,U	GP3G	GP3G	GP3G	GP4GM	GP4GM	GP5GM	GP5GM	GP6G	GP7G	GP7G	GP8G
N	GP4GM	GP4GM	GP4GM	GP5GM	GP5GM	GP5GM	GP6G	GP7G	GP8G	GP8G	GP9G

A grey background indicates the accessory must be assembled in the factory

GP2VN becomes GP2VNA if configured with a type A or B hydronic kit

Double safety valves

Ver	0800	0900	1000	1100	1200	1400	1600	1800	2000	2200	2400
°A,E,L,N,U	T6NRGLS1	T6NRGLS1	T6NRGLS1	T6NRGLS1	T6NRGLS1	T6NRGLS1	T6NRGLS1	T6NRGLS2	T6NRGLS3	T6NRGLS3	T6NRGLS3

A grey background indicates the accessory must be assembled in the factory

CONFIGURATOR

Field	Description
1,2,3	NRG
4,5,6,7	Size 0800, 0900, 1000, 1100, 1200, 1400, 1600, 1800, 2000, 2200, 2400
8	Operating field
X	Electronic thermostatic expansion valve (1)
Z	Low temperature electronic thermostatic valve (2)
9	Model
°	Cooling only
10	Heat recovery
°	Without heat recovery
D	With desuperheater (3)
T	With total recovery (4)
11	Version
°	Standard
A	High efficiency
E	Silenced high efficiency
L	Standard silenced
N	Silenced very high efficiency
U	Very high efficiency
12	Coils
°	Aluminium microchannel
I	Copper-aluminium
O	Coated aluminium microchannel
R	Copper-copper
S	Tinned copper
V	Copper-painted aluminium
13	Fans
J	Inverter
M	Oversized
14	Power supply
°	400V ~ 3 50Hz with magnet circuit breakers
15,16	Integrated hydronic kit
00	Without hydronic kit
	Kit with n° 1 pump
PA	Pump A
PB	Pump B
PC	Pump C
PD	Pump D
PE	Pump E
PF	Pump F
PG	Pump G
PH	Pump H
PI	Pump I
PJ	Pump J (5)
	Pump n° 1 pump + stand-by pump
DA	Pump A + stand-by pump
DB	Pump B + stand-by pump
DC	Pump C + stand-by pump
DD	Pump D + stand-by pump
DE	Pump E + stand-by pump
DF	Pump F + stand-by pump
DG	Pump G + stand-by pump
DH	Pump H + stand-by pump
DI	Pump I + stand-by pump
DJ	Pump J + stand-by pump (5)
	Kit with storage tank and n° 1 pump
AA	Storage tank and pump A
AB	Storage tank and pump B
AC	Storage tank and pump C
AD	Storage tank and pump D
AE	Storage tank and pump E
AF	Storage tank and pump F
AG	Storage tank and pump G
AH	Storage tank and pump H
AI	Storage tank and pump I
AJ	Storage tank and pump J (5)
	Kit with storage tank and n° 1 pump + stand-by pump
BA	Storage tank with pump A + stand-by pump
BB	Storage tank with pump B + stand-by pump
BC	Storage tank with pump C + stand-by pump

Field	Description
BD	Storage tank with pump D + stand-by pump
BE	Storage tank with pump E + stand-by pump
BF	Storage tank with pump F + stand-by pump
BG	Storage tank with pump G + stand-by pump
BH	Storage tank with pump H + stand-by pump
BI	Storage tank with pump I + stand-by pump
BJ	Storage tank with pump J + stand-by pump (5)
	Kit with n° 1 inverter pump to fixed speed
IA	Pump A equipped with inverter device to work at fixed speed
IB	Pump B equipped with inverter device to work at fixed speed
IC	Pump C equipped with inverter device to work at fixed speed
ID	Pump D equipped with inverter device to work at fixed speed
IE	Pump E equipped with inverter device to work at fixed speed
IF	Pump F equipped with inverter device to work at fixed speed (6)
IG	Pump G equipped with inverter device to work at fixed speed (6)
IH	Pump H equipped with inverter device to work at fixed speed (6)
II	Pump I equipped with inverter device to work at fixed speed (6)
IJ	Pump J equipped with inverter device to work at fixed speed (7)
	Kit with n° 1 inverter pump + stand-by pump to fixed speed
JA	Pump A+stand-by pump, both equipped with inverter to work at fixed speed
JB	Pump B+stand-by pump, both equipped with inverter to work at fixed speed
JC	Pump C+stand-by pump, both equipped with inverter to work at fixed speed
JD	Pump D+stand-by pump, both equipped with inverter to work at fixed speed
JE	Pump E+stand-by pump, both equipped with inverter to work at fixed speed
JF	Pump F+stand-by pump, both equipped with inverter to work at fixed speed (6)
JG	Pump G+stand-by pump, both equipped with inverter to work at fixed speed (6)
JH	Pump H+stand-by pump, both equipped with inverter to work at fixed speed (6)
JI	Pump I+stand-by pump, both equipped with inverter to work at fixed speed (6)
JJ	Pump J+stand-by pump, both equipped with inverter to work at fixed speed (7)
	Kit with storage tank and n° 1 inverter pump to fixed speed
CA	Buffer tank + pump A, equipped with inverter to work at fixed speed
CB	Buffer tank + pump B, equipped with inverter to work at fixed speed
CC	Buffer tank + pump C, equipped with inverter to work at fixed speed
CD	Buffer tank + pump D, equipped with inverter to work at fixed speed
CE	Buffer tank + pump E, equipped with inverter to work at fixed speed
CF	Buffer tank + pump F, equipped with inverter to work at fixed speed (6)
CG	Buffer tank + pump G, equipped with inverter to work at fixed speed (6)
CH	Buffer tank + pump H, equipped with inverter to work at fixed speed (6)
CI	Buffer tank + pump I, equipped with inverter to work at fixed speed (6)
CJ	Buffer tank + pump J, equipped with inverter to work at fixed speed (6)
	Kit with storage tank and n° 1 pump + stand-by pump to fixed speed
KA	Buffer tank+pump A+stand-by pump, both with inverter to work at fixed speed
KB	Buffer tank+pump B+stand-by pump, both with inverter to work at fixed speed
KC	Buffer tank+pump C+stand-by pump, both with inverter to work at fixed speed
KD	Buffer tank+pump D+stand-by pump, both with inverter to work at fixed speed
KE	Buffer tank+pump E+stand-by pump, both with inverter to work at fixed speed
KF	Buffer tank+pump F+stand-by pump, both with inverter to work at fixed speed (6)
KG	Buffer tank+pump G+stand-by pump, both with inverter to work at fixed speed (6)
KH	Buffer tank+pump H+stand-by pump, both with inverter to work at fixed speed (6)
KI	Buffer tank+pump I+stand-by pump, both with inverter to work at fixed speed (6)
KJ	Buffer tank+pump J+stand-by pump, both with inverter to work at fixed speed (7)

(1) Water produced from 4 °C ÷ 20 °C

(2) Water produced from 8 °C ÷ -10 °C

(3) Warning: on the recovery side, a minimum input temperature of 35°C must always be guaranteed on the heat exchanger. For more information about the unit operating range, refer to the Magellano selection program

(4) None of the hydronic kits (from PA to KJ) are compatible with the following sizes and with versions with heat recovery T: 0800 - 0900 - 1000 - 1100 version °; 0800 - 0900 version A; 0800 - 0900 version L. None of the hydronic kits with pump(s) and storage tank (AA - AJ, BA-BJ, CA-CJ, KA-KJ) are compatible with all the sizes and with versions with heat recovery T

(5) For all configurations including pump J please contact the factory.

(6) Hydronic kit not available with sizes 0800 version °/L/A, 0900 version °/L/A, 1000 version °, 1100 version °.

(7) For all possible configurations which include the "J" pump please be in touch with Aermec. Hydronic kit is not available with sizes 0800 version °/L/A, 0900 version °/L/A, 1000 version °, 1100 version °.

PERFORMANCE SPECIFICATIONS

NRG - °

Size		0800	0900	1000	1100	1200	1400	1600	1800	2000	2200	2400
Fans: J, M												
Cooling performance 12 °C / 7 °C (1)												
Cooling capacity	kW	229,0	251,4	278,2	314,5	372,4	399,7	459,4	532,8	593,5	635,8	698,1
Input power	kW	70,6	80,3	90,1	107,8	118,6	129,5	152,5	170,8	197,3	212,9	226,5
Cooling total input current	A	122,0	138,0	156,0	182,0	198,0	222,0	248,0	282,0	325,0	353,0	366,0
EER	W/W	3,24	3,13	3,09	2,92	3,14	3,09	3,01	3,12	3,01	2,99	3,08
Water flow rate system side	l/h	39392	43247	47863	54104	64061	68767	79015	91640	102081	109354	120062
Pressure drop system side	kPa	36	44	54	51	60	62	42	57	62	62	64

(1) Data EN 14511:2022; Heat exchanger water (services side) 12°C / 7°C; outside air 35°C

NRG - L

Size		0800	0900	1000	1100	1200	1400	1600	1800	2000	2200	2400
Fans: J, M												
Cooling performance 12 °C / 7 °C (1)												
Cooling capacity	kW	225,7	247,6	279,0	317,6	360,5	410,2	451,3	526,9	590,3	640,5	679,3
Input power	kW	70,6	80,3	88,3	106,0	121,5	133,0	151,3	171,3	200,0	209,3	224,5
Cooling total input current	A	121,0	138,0	148,0	174,0	201,0	216,0	243,0	277,0	323,0	337,0	364,0
EER	W/W	3,20	3,09	3,16	3,00	2,97	3,08	2,98	3,08	2,95	3,06	3,03
Water flow rate system side	l/h	38832	42603	47996	54644	62004	70568	77616	90617	101513	110161	116806
Pressure drop system side	kPa	36	43	42	48	47	53	41	49	53	62	39

(1) Data EN 14511:2022; Heat exchanger water (services side) 12°C / 7°C; outside air 35°C

NRG - A

Size		0800	0900	1000	1100	1200	1400	1600	1800	2000	2200	2400
Fans: J, M												
Cooling performance 12 °C / 7 °C (1)												
Cooling capacity	kW	230,4	253,6	287,0	328,9	374,1	424,3	468,8	542,9	608,8	663,3	702,9
Input power	kW	69,3	78,3	86,3	100,7	116,2	127,9	144,7	163,4	187,9	202,4	217,9
Cooling total input current	A	123,0	139,0	151,0	174,0	197,0	215,0	238,0	275,0	317,0	334,0	358,0
EER	W/W	3,33	3,24	3,33	3,27	3,22	3,32	3,24	3,32	3,24	3,28	3,23
Water flow rate system side	l/h	39642	43624	49381	56584	64350	72980	80631	93379	104697	114081	120866
Pressure drop system side	kPa	37	45	44	52	52	56	44	53	58	67	42

(1) Data EN 14511:2022; Heat exchanger water (services side) 12°C / 7°C; outside air 35°C

NRG - E

Size		0800	0900	1000	1100	1200	1400	1600	1800	2000	2200	2400
Fans: J, M												
Cooling performance 12 °C / 7 °C (1)												
Cooling capacity	kW	229,7	256,5	280,7	330,9	378,2	424,6	466,3	542,7	617,8	652,1	705,8
Input power	kW	68,3	77,4	86,8	100,0	116,7	128,4	144,7	165,0	186,7	203,2	214,1
Cooling total input current	A	116,0	132,0	149,0	167,0	191,0	208,0	231,0	268,0	302,0	327,0	343,0
EER	W/W	3,37	3,32	3,24	3,31	3,24	3,31	3,22	3,29	3,31	3,21	3,30
Water flow rate system side	l/h	39530	44119	48278	56919	65043	73027	80200	93338	106248	112132	121358
Pressure drop system side	kPa	38	35	38	48	39	38	44	47	59	45	37

(1) Data EN 14511:2022; Heat exchanger water (services side) 12°C / 7°C; outside air 35°C

NRG - U

Size		0800	0900	1000	1100	1200	1400	1600	1800	2000	2200	2400
Fans: J, M												
Cooling performance 12 °C / 7 °C (1)												
Cooling capacity	kW	234,8	263,0	288,8	339,2	389,3	435,6	479,7	558,1	634,0	671,3	725,0
Input power	kW	68,2	76,5	85,2	99,1	114,3	126,8	142,5	163,7	185,1	200,1	212,0
Cooling total input current	A	120,0	135,0	151,0	171,0	193,0	212,0	233,0	272,0	308,0	330,0	349,0
EER	W/W	3,44	3,44	3,39	3,42	3,41	3,44	3,37	3,41	3,43	3,35	3,42
Water flow rate system side	l/h	40397	45241	49677	58351	66957	74921	82502	95984	109036	115443	124657
Pressure drop system side	kPa	40	36	41	50	40	39	47	49	62	48	39

(1) Data EN 14511:2022; Heat exchanger water (services side) 12°C / 7°C; outside air 35°C

NRG - N

Size		0800	0900	1000	1100	1200	1400	1600	1800	2000	2200	2400
Fans: J, M												
Cooling performance 12 °C / 7 °C (1)												
Cooling capacity	kW	235,0	262,1	290,7	339,2	389,2	430,7	481,8	556,2	627,9	670,3	719,8
Input power	kW	67,2	76,1	85,1	98,7	113,4	126,5	141,8	163,9	184,6	198,3	212,1
Cooling total input current	A	115,0	129,0	145,0	164,0	185,0	208,0	225,0	262,0	297,0	320,0	338,0
EER	W/W	3,50	3,44	3,42	3,44	3,43	3,40	3,40	3,39	3,40	3,38	3,39
Water flow rate system side	l/h	40430	45090	50006	58350	66941	74070	82857	95663	107988	115265	123768
Pressure drop system side	kPa	41	38	41	50	41	38	42	49	61	47	39

(1) Data EN 14511:2022; Heat exchanger water (services side) 12°C / 7°C; outside air 35°C

ENERGY INDICES (REG. 2016/2281 EU)

Size			0800	0900	1000	1100	1200	1400	1600	1800	2000	2200	2400
Fans: J													
SEER - 12/7 (EN14825:2018) (1)													
SEER	°	W/W	4,46	4,43	4,34	4,36	4,47	4,40	4,62	4,62	4,56	4,58	4,59
	A	W/W	4,66	4,67	4,66	4,64	4,66	4,64	4,72	4,77	4,77	4,76	4,77
	E	W/W	4,76	4,82	4,75	4,76	4,79	4,89	4,87	4,98	4,95	4,89	4,88
	L	W/W	4,60	4,58	4,65	4,62	4,61	4,77	4,69	4,81	4,83	4,78	4,81
	N	W/W	4,83	4,86	4,88	4,87	4,88	5,00	4,97	5,05	5,01	4,95	4,93
	U	W/W	4,72	4,74	4,75	4,75	4,76	4,73	4,78	4,85	4,82	4,83	4,82
Seasonal efficiency	°	%	175,50	174,30	170,50	171,30	175,90	173,00	181,60	181,80	179,50	180,00	180,60
	A	%	183,40	183,80	183,20	182,70	183,20	182,40	185,70	187,80	187,70	187,50	187,60
	E	%	187,50	189,60	187,00	187,40	188,50	192,60	191,60	196,30	195,00	192,70	192,00
	L	%	180,80	180,10	183,00	181,60	181,20	187,90	184,60	189,20	190,30	188,00	189,50
	N	%	190,10	191,20	192,20	191,80	192,10	196,90	195,90	198,80	197,30	194,80	194,30
	U	%	185,80	186,70	187,10	186,80	187,40	186,20	188,30	191,00	189,70	190,10	189,60
SEER - 23/18 (EN14825:2018) (2)													
SEER	°	W/W	5,09	4,99	4,86	4,89	5,02	4,91	5,20	5,17	5,09	5,06	5,09
	A	W/W	5,35	5,29	5,31	5,23	5,19	5,17	5,28	5,34	5,32	5,25	5,39
	E	W/W	5,46	5,51	5,38	5,36	5,38	5,54	5,44	5,56	5,46	5,49	5,53
	L	W/W	5,29	5,20	5,26	5,17	5,11	5,29	5,25	5,32	5,32	5,24	5,37
	N	W/W	5,54	5,57	5,55	5,51	5,52	5,63	5,59	5,63	5,52	5,55	5,59
	U	W/W	5,46	5,48	5,43	5,39	5,41	5,37	5,38	5,46	5,38	5,45	5,51
Seasonal efficiency	°	%	200,70	196,50	191,50	192,40	197,60	193,20	205,10	203,70	200,40	199,20	200,40
	A	%	211,00	208,40	209,30	206,10	204,60	203,70	208,10	210,50	209,80	207,10	212,70
	E	%	215,40	217,40	212,00	211,40	212,10	218,60	214,40	219,30	215,30	216,40	218,00
	L	%	208,60	204,80	207,20	203,80	201,50	208,60	206,90	209,80	209,90	206,50	211,90
	N	%	218,40	219,80	219,10	217,20	217,70	222,30	220,40	222,30	217,90	218,90	220,50
	U	%	215,40	216,20	214,20	212,50	213,50	211,90	212,20	215,50	212,20	214,90	217,40

(1) Calculation performed with FIXED water flow rate and VARIABLE outlet temperature.
(2) Calculation performed with FIXED water flow rate.

Size			0800	0900	1000	1100	1200	1400	1600	1800	2000	2200	2400
Fans: M													
SEER - 12/7 (EN14825:2018) (1)													
SEER	°	W/W	4,35	4,33	4,25	4,29	4,15	4,22	- (2)	- (2)	- (2)	- (2)	- (2)
	A	W/W	4,43	4,45	4,45	4,45	4,47	4,60	4,63	4,63	4,63	4,57	4,58
	E	W/W	4,51	4,58	4,56	4,57	4,59	4,66	4,67	4,70	4,68	4,65	4,66
	L	W/W	4,39	4,39	4,47	4,44	4,43	4,61	4,60	4,62	4,62	4,57	4,59
	N	W/W	4,57	4,62	4,69	4,67	4,68	4,76	4,78	4,75	4,72	4,70	4,72
	U	W/W	4,48	4,52	4,54	4,56	4,58	4,69	4,70	4,71	4,68	4,64	4,64
Seasonal efficiency	°	%	171,10	170,00	167,10	168,50	163,10	165,80	- (2)	- (2)	- (2)	- (2)	- (2)
	A	%	174,00	174,80	174,80	175,10	175,90	180,80	182,20	182,30	182,10	179,60	180,20
	E	%	204,20	206,80	203,60	202,90	202,70	208,50	206,10	207,50	204,20	206,20	209,00
	L	%	172,60	172,40	175,70	174,60	174,20	181,30	181,00	181,80	181,80	179,90	180,70
	N	%	179,90	181,70	184,40	183,70	184,00	187,50	188,00	187,00	185,90	184,80	185,60
	U	%	176,30	177,70	178,50	179,20	180,10	184,70	184,80	185,50	184,20	182,40	182,40
SEER - 23/18 (EN14825:2018) (3)													
SEER	°	W/W	4,97	4,87	4,77	4,81	4,65	4,72	4,86	4,98	4,90	4,89	4,86
	A	W/W	5,09	5,04	5,07	5,02	4,98	5,13	5,18	5,20	5,17	5,06	5,20
	E	W/W	5,18	5,25	5,17	5,15	5,14	5,29	5,23	5,26	5,18	5,23	5,30
	L	W/W	5,06	4,98	5,05	4,98	4,92	5,12	5,15	5,13	5,10	5,03	5,15
	N	W/W	5,25	5,30	5,34	5,28	5,29	5,38	5,37	5,33	5,24	5,29	5,36
	U	W/W	5,19	5,23	5,19	5,18	5,20	5,33	5,29	5,32	5,24	5,26	5,32
Seasonal efficiency	°	%	195,90	191,90	187,80	189,30	183,10	185,60	191,20	196,20	192,80	192,70	191,30
	A	%	200,40	198,50	199,90	197,90	196,00	202,00	204,30	204,90	203,70	199,50	205,00
	E	%	204,20	206,80	203,60	202,90	202,70	208,50	206,10	207,50	204,20	206,20	209,00
	L	%	199,30	196,30	199,10	196,00	193,80	201,60	203,00	202,30	200,90	198,20	203,00
	N	%	207,10	209,10	210,40	208,20	208,40	212,10	211,80	210,30	206,50	208,70	211,40
	U	%	204,70	206,10	204,60	204,00	205,00	210,20	208,40	209,80	206,40	207,40	209,80

(1) Calculation performed with FIXED water flow rate and VARIABLE outlet temperature.
(2) Non-compliant with 2016/2281 EU regulation for comfort applications 12°C / 7°C
(3) Calculation performed with FIXED water flow rate.

Size			0800	0900	1000	1100	1200	1400	1600	1800	2000	2200	2400
Fans: J													
SEPR - (EN 14825:2018) (1)													
SEPR	°	W/W	5,84	5,73	5,82	5,67	5,95	6,14	6,27	6,31	6,09	6,12	6,30
	A	W/W	6,12	6,09	6,21	6,13	6,12	6,35	6,41	6,46	6,38	6,45	6,48
	E	W/W	6,24	6,26	6,28	6,23	6,14	6,72	6,72	6,78	6,73	6,64	6,62
	L	W/W	6,10	6,05	6,16	6,08	5,87	6,54	6,44	6,56	6,54	6,50	6,43
	N	W/W	6,36	6,35	6,37	6,38	6,43	6,82	6,80	6,93	6,85	6,78	6,71
	U	W/W	6,38	6,36	6,36	6,25	6,30	6,55	6,63	6,55	6,50	6,59	6,64

(1) Calculation performed with FIXED water flow rate.

Size			0800	0900	1000	1100	1200	1400	1600	1800	2000	2200	2400
Fans: M													
SEPR - (EN 14825:2018) (1)													
SEPR	°	W/W	5,68	5,58	5,70	5,58	5,60	5,96	5,95	6,10	5,92	5,97	6,07
	A	W/W	5,79	5,78	5,93	5,95	5,87	6,34	6,27	6,33	6,32	6,30	6,31
	E	W/W	5,94	5,94	6,04	6,00	5,89	6,41	6,41	6,47	6,44	6,36	6,42
	L	W/W	5,85	5,77	5,93	5,84	5,63	6,29	6,29	6,35	6,28	6,26	6,21
	N	W/W	6,03	6,02	6,12	6,13	6,17	6,49	6,50	6,60	6,52	6,50	6,49
	U	W/W	6,04	6,05	6,04	6,02	6,07	6,49	6,50	6,41	6,37	6,42	6,46

(1) Calculation performed with FIXED water flow rate.

ELECTRIC DATA

Size			0800	0900	1000	1100	1200	1400	1600	1800	2000	2200	2400
Electric data													
Maximum current (FLA)	°	A	158,2	176,5	198,8	226,7	262,4	290,3	318,1	371,7	417,5	445,4	481,1
	A,L	A	162,2	180,5	200,6	228,5	256,4	290,1	317,9	369,5	415,3	449,0	476,9
	E,U	A	164,0	182,3	200,6	234,3	262,2	295,9	323,7	375,3	426,9	454,8	488,5
	N	A	169,8	188,1	206,4	240,1	268,0	295,9	329,5	381,1	432,7	460,6	494,3
	°	A	361,6	417,7	440,0	689,0	724,7	752,6	780,4	834,1	879,9	907,7	943,4
Peak current (LRA)	A,L	A	365,6	421,7	441,8	690,8	718,7	752,4	780,2	831,9	877,7	911,3	939,2
	E,U	A	367,4	423,5	441,8	696,6	724,5	758,2	786,0	837,7	889,3	917,1	950,8
	N	A	373,2	429,3	447,6	702,4	730,3	758,2	791,8	843,5	895,1	922,9	956,6

Data calculated without hydronic kit and accessories.

GENERAL TECHNICAL DATA

Compressors

Size			0800	0900	1000	1100	1200	1400	1600	1800	2000	2200	2400
Compressor													
Type	°A,E,L,N,U	type											Scroll
Compressor regulation	°A,E,L,N,U	Type											On/Off
Number	°A,E,L,N,U	no.	4	4	4	4	4	4	4	5	6	6	6
Circuits	°A,E,L,N,U	no.	2	2	2	2	2	2	2	2	2	2	2
Refrigerant	°A,E,L,N,U	type											R32
Refrigerant load circuit 1 (1)	°	kg	10,5	10,9	11,3	14,0	15,0	15,0	15,8	20,6	20,6	24,1	29,0
	A,L	kg	11,3	10,9	11,0	15,0	15,8	18,0	18,0	20,6	24,0	24,4	26,3
	E,U	kg	15,4	15,0	16,1	19,9	19,9	24,0	23,3	25,9	28,1	33,8	30,8
	N	kg	16,0	16,0	17,3	24,2	26,3	26,3	30,8	30,0	37,5	34,1	34,1
Refrigerant load circuit 2 (1)	°	kg	10,5	10,9	11,3	14,0	15,0	15,0	15,8	20,6	20,6	25,6	29,0
	A,L	kg	11,3	10,9	11,0	15,0	15,8	20,5	20,5	20,6	24,0	24,4	26,3
	E,U	kg	15,4	15,0	16,1	19,9	19,9	25,5	23,3	25,9	28,1	33,8	30,8
	N	kg	16,0	16,0	18,8	25,4	26,3	26,3	30,8	30,0	37,5	34,1	34,1
Potential global heating	°A,E,L,N,U	GWP											675kgCO ₂ eq

(1) The load indicated in the table is an estimated and preliminary value. The final value of the refrigerant load is indicated on the unit's technical label. For further information contact the office.

System side heat exchanger

Size			0800	0900	1000	1100	1200	1400	1600	1800	2000	2200	2400
System side heat exchanger													
Type	°A,E,L,N,U	type	Brazed plate	Brazed plate	Brazed plate	Brazed plate	Brazed plate	Brazed plate	Brazed plate	Brazed plate	Brazed plate	Brazed plate	Brazed plate
Number	°A,E,L,N,U	no.	1	1	1	1	1	1	1	1	1	1	1

Size			0800	0900	1000	1100	1200	1400	1600	1800	2000	2200	2400
Integrated hydronic kit: 00													
Hydraulic connections													
Connections (in/out)	°A,E,L,N,U	Type											Grooved joints
Sizes (in/out)	°	Ø	3"	3"	3"	3"	3"	4"	4"	4"	4"	4"	5"
	A,L	Ø	3"	3"	3"	3"	3"	4"	4"	4"	4"	5"	5"
	E,N,U	Ø	3"	3"	3"	3"	4"	4"	4"	4"	4"	5"	5"

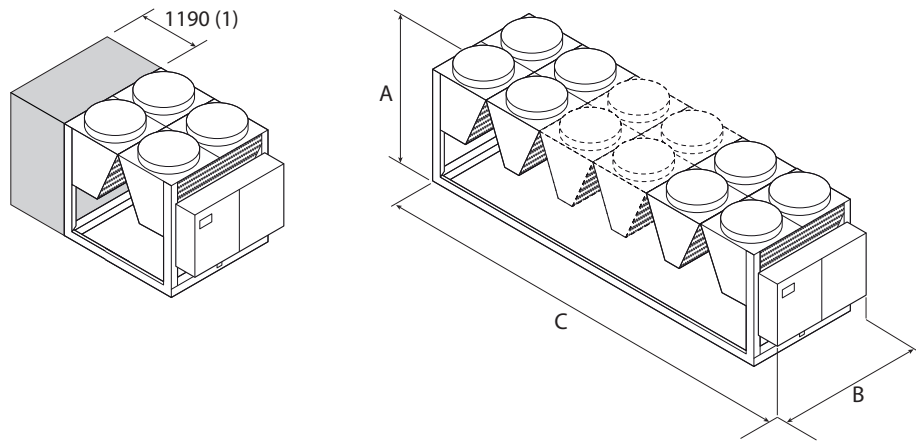
In the versions without a hydronic kit, the water filter is supplied with a connection point for making the connection. In the versions with a hydronic kit, it is supplied ready-mounted.

Fans

Size			0800	0900	1000	1100	1200	1400	1600	1800	2000	2200	2400
Fans: M													
Increased fan													
Type	°A,E,L,N,U	type	axials										
Fan motor	°A,U	type	Asynchronous										
	E,L,N	type	Asynchronous with phase cut										
Number	°	no.	4	4	4	4	6	6	6	8	8	8	10
	A,L	no.	4	4	6	6	6	8	8	10	10	12	12
	E,U	no.	6	6	6	8	8	10	10	12	14	14	16
	N	no.	8	8	8	10	10	10	12	14	16	16	18
Without Static pressure													
Air flow rate	°	m ³ /h	76740	76740	76744	76744	115121	115121	115121	153480	153480	153480	191819
	A	m ³ /h	76743	76743	115110	115110	115110	153480	153480	191850	191850	230220	230220
	E	m ³ /h	74973	74973	74973	99978	99978	124970	124970	149950	174934	174934	199932
	L	m ³ /h	62605	62605	74978	74978	74978	99996	99996	124953	124953	149882	149882
	N	m ³ /h	99973	99973	99973	124966	124966	124966	149960	174953	199946	199946	224939
	U	m ³ /h	115110	115110	115110	153480	153480	191850	191850	230220	268590	268590	306960
Sound power level	°	dB(A)	89,2	89,2	90,5	90,6	92,4	92,5	92,6	93,7	93,8	93,8	94,8
	A	dB(A)	90,5	90,5	90,5	90,8	91,1	92,0	92,3	93,1	93,4	94,2	94,3
	E	dB(A)	84,4	84,5	84,5	85,8	86,5	87,6	88,1	88,6	89,0	89,7	90,2
	L	dB(A)	85,1	85,1	84,5	85,1	85,4	86,6	87,2	87,7	88,4	89,1	89,5
	N	dB(A)	85,3	85,4	85,4	86,9	87,5	88,1	89,0	89,4	89,8	90,5	91,0
	U	dB(A)	90,8	90,8	90,8	92,2	92,4	93,5	93,6	94,3	94,9	95,0	95,6
Fans: J													
Inverter fan													
Type	°A,E,L,N,U	type	Axial										
Fan motor	°A,E,L,N,U	type	Inverter										
	°	no.	4	4	4	4	6	6	6	8	8	8	10
Number	A,L	no.	4	4	6	6	6	8	8	10	10	12	12
	E,U	no.	6	6	6	8	8	10	10	12	14	14	16
	N	no.	8	8	8	10	10	10	12	14	16	16	18
	°	m ³ /h	65555	65555	76744	76744	115121	115121	115121	153480	153480	153480	191819
Air flow rate	A	m ³ /h	76743	76743	98321	98321	98321	131111	131087	163789	163789	196572	196572
	E	m ³ /h	74973	74973	74973	99978	99978	124970	124970	149950	174934	174934	199932
	L	m ³ /h	62605	62605	74978	74978	74978	99996	99996	124953	124953	149882	149882
	N	m ³ /h	99973	99973	99973	124966	124966	124966	149960	174953	199946	199946	224939
	U	m ³ /h	98320	98320	98320	131139	131139	163815	163815	196680	229462	229462	262164
	°	dB(A)	87,1	87,1	91,7	91,8	93,6	93,7	93,8	94,9	94,9	95,0	95,9
Sound power level	A	dB(A)	91,7	91,7	88,1	88,7	89,2	89,9	90,2	90,9	91,5	92,3	92,5
	E	dB(A)	84,4	84,5	84,5	85,8	86,5	87,6	88,1	88,6	89,0	89,7	90,2
	L	dB(A)	85,1	85,1	84,5	85,1	85,4	86,6	87,2	87,7	88,4	89,1	89,5
	N	dB(A)	85,3	85,4	85,4	86,9	87,5	88,1	89,0	89,4	89,8	90,5	91,0
	U	dB(A)	88,6	88,6	88,6	90,1	90,5	91,6	91,8	92,5	93,0	93,2	93,8

(1) Sound power: calculated on the basis of measurements made in accordance with UNI EN ISO 9614-2, as required for Eurovent certification. Sound pressure measured in free field (in compliance with UNI EN ISO 3744).

DIMENSIONS



(1) Additional module needed to contain the hydronic kit with "accumulation" option in sizes:
 NRG 0800°, 0900°, 1000°, 1100°
 NRG 0800L, 0900L
 NRG 0800A, 0900A

Size			0800	0900	1000	1100	1200	1400	1600	1800	2000	2200	2400
Integrated hydronic kit: 00													
Dimensions and weights													
A	°A,E,L,N,U	mm	2450	2450	2450	2450	2450	2450	2450	2450	2450	2450	2450
B	°A,E,L,N,U	mm	2200	2200	2200	2200	2200	2200	2200	2200	2200	2200	2200
	°	mm	2780	2780	2780	2780	3970	3970	3970	5160	5160	5160	6350
C	A,L	mm	2780	2780	3970	3970	3970	5160	5160	6350	6350	7540	7540
	E,U	mm	3970	3970	3970	5160	5160	6350	6350	7540	8730	8730	9920
	N	mm	5160	5160	5160	6350	6350	6350	7540	8730	9920	9920	11110

The units 0800°, 0900°, 1000°, 1100°; 0800L, 0900L; and 0800A, 0900A with the "storage tank" option, are 3970mm long.

Size			0800	0900	1000	1100	1200	1400	1600	1800	2000	2200	2400
Integrated hydronic kit: 00													
Weights													
Empty weight	°	kg	2140	2140	2150	2310	2850	2960	3180	3830	4030	4210	4740
	A,L	kg	2160	2160	2580	2730	2870	3440	3650	4250	4460	4960	5070
	E,U	kg	2580	2590	2600	3220	3430	3930	4070	4660	5270	5400	5990
	N	kg	3050	3070	3080	3630	3850	3990	4470	5110	5750	5880	6370

Aermec reserves the right to make any modifications deemed necessary.
 All data is subject to change without notice. Aermec does not assume responsibility or liability for errors or omissions.

Aermec S.p.A.
 Via Roma, 996 - 37040 Bevilacqua (VR) - Italia
 Tel. 0442633111 - Telefax 044293577
 www.aermec.com