

NRG-0800-2400-F

Air-water chiller with free-cooling

Cooling capacity 224 ÷ 717 kW



- Microchannel coil
- Night mode
- High efficiency also at partial loads



DESCRIPTION

Air-cooled outdoor chiller designed to meet air conditioning needs in residential/commercial complexes or industrial applications.

These are outdoor units with streamlined scroll compressors used with R32 gas axial fan, microchannel batteries and plate exchangers.

The base, the structure and the panels are made of galvanized steel treated with polyester paint RAL 9003.

VERSIONS

- A** High efficiency
- E** Silenced high efficiency
- N** Silenced very high efficiency
- U** Very high efficiency

FEATURES

Operating field

Operation at full load up to 49 °C external air temperature. Unit can produce chilled water up to -10,0 °C.

For more information refer to the selection program and to the dedicated documentation.

Refrigerant HFC R32

Use refrigerant fluid R32, whose classification according to ISO 817 is A2L (non-toxic, odourless and slightly flammable refrigerant).

The environmental impact of the units is reduced considerably owing to the last generation R32 refrigerant.

Combining a reduced refrigerant load with a low global warming potential (GWP), these units boast low equivalent CO₂ values.

The leak detector is supplied as per standard.

Dual-circuit unit

Unit with 2 refrigerant circuits designed to provide maximum efficiency at full load, ensuring high efficiency at partial loads also and ensuring continuity in case one of the circuits stops.

Condensation control temperature

Fitted as standard with a device for electronic condensation control so that the unit can work even with low temperatures, adapting the air flow rate to the actual system request in order to reduce consumption.

Aluminium microchannel coils

The whole range uses microchannel condenser coils allowing reduction of refrigerant charge but keeping the same high efficiency.

Free-cooling water coils

These units also have a water coil dedicated to free-cooling mode.

Free-cooling offers significant energy saving in applications that require cooling all year round.

As soon as the outside air temperature allows, a valve makes the water flow towards the free-cooling battery which is cooled directly by the air. The compressors are completely shut down, if possible, leading to considerable electrical savings.

Electronic expansion valve

The possibility to use electronic expansion valve, offers significant benefits, especially when the chiller is working with partial loads, increasing the energy efficiency of the unit.

Option integrated hydronic kit

An optional, integrated hydronic kit containing the main hydraulic components, to obtain a solution that allows you to save money and to facilitate installation.

It is available in different configurations with storage tank or with fixed pumps also inverter.

CONTROL PCO⁵

Microprocessor adjustment, with 7" touch screen keyboard, which allows to navigate intuitively among the various screens, allowing to modify the operating parameters and graphically view the progress of some variables in real time and the ad adjustment includes complete management of the alarms and their log.

- Possibility to control two units in a Master-Slave configuration
- The presence of a programmable timer allows functioning time periods and a possible second set-point to be set.
- The temperature control takes place with the integral proportional logic, based on the water output temperature.
- **Night Mode:** it is possible to set a silenced operation profile. Perfect for night operation since it guarantees greater acoustic comfort in the evenings, and a high efficiency in the time of greater load.

CONFIGURATOR

Field	Description
1,2,3	NRG
4,5,6,7	Size 0800, 0900, 1000, 1100, 1200, 1400, 1600, 1800, 2000, 2200, 2400
8	Operating field
X	Electronic thermostatic expansion valve (1)
Z	Low temperature electronic thermostatic valve (2)
9	Model
F	Free-cooling
10	Heat recovery
°	Without heat recovery
D	With desuperheater (3)
11	Version
A	High efficiency
E	Silenced high efficiency
N	Silenced very high efficiency
U	Very high efficiency
12	Coils / free-cooling coils
°	Alluminium microchannel / Copper - aluminium
I	Copper-aluminium / Copper-aluminium
O	Painted alluminium microchannel / Copper painted aluminium
R	Copper-copper/Copper-copper
S	Copper-Tinned copper / Copper -Tinned copper
V	Copper-painted aluminium / Copper-painted aluminium
13	Fans
°	Standard with DCPX
J	Inverter
14	Power supply
°	400V ~ 3 50Hz with magnet circuit breakers
15,16	Integrated hydronic kit
00	Without hydronic kit
	Kit with n° 1 pump
PA	Pump A
PB	Pump B
PC	Pump C
PD	Pump D
PE	Pump E
PF	Pump F
PG	Pump G
PH	Pump H
PI	Pump I
	Pump n° 1 pump + stand-by pump
DA	Pump A + stand-by pump
DB	Pump B + stand-by pump
DC	Pump C + stand-by pump
DD	Pump D + stand-by pump
DE	Pump E + stand-by pump
DF	Pump F + stand-by pump
DG	Pump G + stand-by pump
DH	Pump H + stand-by pump
DI	Pump I + stand-by pump
	Kit with storage tank and n° 1 pump
AA	Storage tank and pump A (4)
AB	Storage tank and pump B (4)
AC	Storage tank and pump C (4)
AD	Storage tank and pump D (4)
AE	Storage tank and pump E (4)
AF	Storage tank and pump F (4)
AG	Storage tank and pump G (4)
AH	Storage tank and pump H (4)
AI	Storage tank and pump I (4)
	Kit with storage tank and n° 1 pump + stand-by pump
BA	Storage tank with pump A + stand-by pump (4)

Field	Description
BB	Storage tank with pump B + stand-by pump (4)
BC	Storage tank with pump C + stand-by pump (4)
BD	Storage tank with pump D + stand-by pump (4)
BE	Storage tank with pump E + stand-by pump (4)
BF	Storage tank with pump F + stand-by pump (4)
BG	Storage tank with pump G + stand-by pump (4)
BH	Storage tank with pump H + stand-by pump (4)
BI	Storage tank with pump I + stand-by pump (4)
	Kit with n° 1 inverter pump to fixed speed
IA	Pump A equipped with inverter device to work at fixed speed
IB	Pump B equipped with inverter device to work at fixed speed
IC	Pump C equipped with inverter device to work at fixed speed
ID	Pump D equipped with inverter device to work at fixed speed
IE	Pump E equipped with inverter device to work at fixed speed
IF	Pump F equipped with inverter device to work at fixed speed
IG	Pump G equipped with inverter device to work at fixed speed
IH	Pump H equipped with inverter device to work at fixed speed
II	Pump I equipped with inverter device to work at fixed speed
	Kit with n° 1 inverter pump + stand-by pump to fixed speed
JA	Pump A+stand-by pump, both equipped with inverter to work at fixed speed
JB	Pump B+stand-by pump, both equipped with inverter to work at fixed speed
JC	Pump C+stand-by pump, both equipped with inverter to work at fixed speed
JD	Pump D+stand-by pump, both equipped with inverter to work at fixed speed
JE	Pump E+stand-by pump, both equipped with inverter to work at fixed speed
JF	Pump F+stand-by pump, both equipped with inverter to work at fixed speed
JG	Pump G+stand-by pump, both equipped with inverter to work at fixed speed
JH	Pump H+stand-by pump, both equipped with inverter to work at fixed speed
JI	Pump I+stand-by pump, both equipped with inverter to work at fixed speed
	Kit with storage tank and n° 1 inverter pump to fixed speed
CA	Buffer tank + pump A, equipped with inverter to work at fixed speed (4)
CB	Buffer tank + pump B, equipped with inverter to work at fixed speed (4)
CC	Buffer tank + pump C, equipped with inverter to work at fixed speed (4)
CD	Buffer tank + pump D, equipped with inverter to work at fixed speed (4)
CE	Buffer tank + pump E, equipped with inverter to work at fixed speed (4)
CF	Buffer tank + pump F, equipped with inverter to work at fixed speed (4)
CG	Buffer tank + pump G, equipped with inverter to work at fixed speed (4)
CH	Buffer tank + pump H, equipped with inverter to work at fixed speed (4)
CI	Buffer tank + pump I, equipped with inverter to work at fixed speed (4)
	Kit with storage tank and n° 1 pump + stand-by pump to fixed speed
KA	Buffer tank+pump A+stand-by pump, both with inverter to work at fixed speed (4)
KB	Buffer tank+pump B+stand-by pump, both with inverter to work at fixed speed (4)
KC	Buffer tank+pump C+stand-by pump, both with inverter to work at fixed speed (4)
KD	Buffer tank+pump D+stand-by pump, both with inverter to work at fixed speed (4)
KE	Buffer tank+pump E+stand-by pump, both with inverter to work at fixed speed (4)
KF	Buffer tank+pump F+stand-by pump, both with inverter to work at fixed speed (4)
KG	Buffer tank+pump G+stand-by pump, both with inverter to work at fixed speed (4)
KH	Buffer tank+pump H+stand-by pump, both with inverter to work at fixed speed (4)
KI	Buffer tank+pump I+stand-by pump, both with inverter to work at fixed speed (4)

(1) Water produced from 4 °C ÷ 20 °C

(2) Water produced from 8 °C ÷ -10 °C

(3) Warning: on the recovery side, a minimum input temperature of 35°C must always be guaranteed on the heat exchanger. For more information about the unit operating range, refer to the Magellano selection program. Desuperheater is not compatible with the hydronic kit with storage tank (AA-AI, BA-BI, CA-CI e KA-KI) on the unit 1400-2400°, 1100-1800 E/U, 0800-1600N.

(4) Additional module needed to contain the hydronic kit with "accumulation" option in sizes: 0800 A - 0900 A

ACCESSORIES

AER485P1: RS-485 interface for supervision systems with MODBUS protocol.

AERBACP: Ethernet communication Interface for protocols Bacnet/IP, Modbus TCP/IP, SNMP

AERNET: The device allows the control, the management and the remote monitoring of a Chiller with a PC, smartphone or tablet using Cloud connection. AERNET works as Master while every unit connected is configured as Slave (max. 6 unit); also, with a simple click is possible to save a log file with all the connected unit datas in the personal terminal for post analysis.

FL: Flow switch.

MULTICHILLER_EVO: Control, switch-on and switch-off system of the single chillers where multiple units are installed in parallel, always ensuring constant flow rate to the evaporators.

PGD1: Allows you to control the unit at a distance.

AVX: Spring anti-vibration supports.

FACTORY FITTED ACCESSORIES

DRE: Electronic device for peak current reduction.

RIF: Power factor correction. Connected in parallel to the motor allowing about 10% reduction of input current.

GP_: Anti-intrusion grid kit

T6: Double safety valve with exchange cock, both on the high and low pressure branches.

ACCESSORIES COMPATIBILITY

Model	Ver	0800	0900	1000	1100	1200	1400	1600	1800	2000	2200	2400
AER485P1	A,E,N,U
AERBACP	A,E,N,U
AERNET	A,E,N,U
FL	A,E,N,U
MULTICHILLER_EVO	A,E,N,U
PGD1	A,E,N,U

Antivibration

Ver	0800	0900	1000	1100	1200	1400	1600	1800	2000	2200	2400
Integrated hydronic kit: 00, AA, AB, AC, AD, AE, AF, AG, AH, AI, BA, BB, BC, BD, BE, BF, BG, BH, BI, CA, CB, CC, CD, CE, CF, CG, CH, CI, DA, DB, DC, DD, DE, DF, DG, DH, DI, IA, IB, IC, ID, IE, IF, IG, IH, II, JA, JB, JC, JD, JE, JF, JG, JH, JI, KA, KB, KC, KD, KE, KF, KG, KH, KI, PA, PB, PC, PD, PE, PF, PG, PH, PI											
A,E,N,U	AVX (1)	AVX (1)	AVX (1)	AVX (1)	AVX (1)	AVX (1)	AVX (1)	AVX (1)	AVX (1)	AVX (1)	AVX (1)

(1) Contact us.

Device for peak current reduction

Ver	0800	0900	1000	1100	1200	1400
A,E,N,U	DRENRG0800	DRENRG0900	DRENRG1000	DRENRG1100	DRENRG1200	DRENRG1400

A grey background indicates the accessory must be assembled in the factory

Ver	1600	1800	2000	2200	2400
A,E,N,U	DRENRG1600	DRENRG1800	DRENRG2000	DRENRG2200	DRENRG2400

A grey background indicates the accessory must be assembled in the factory

Power factor correction

Ver	0800	0900	1000	1100	1200	1400
A,E,N,U	RIFNRG0800	RIFNRG0900	RIFNRG1000	RIFNRG1100	RIFNRG1200	RIFNRG1400

A grey background indicates the accessory must be assembled in the factory

Ver	1600	1800	2000	2200	2400
A,E,N,U	RIFNRG1600	RIFNRG1800	RIFNRG2000	RIFNRG2200	RIFNRG2400

A grey background indicates the accessory must be assembled in the factory

Double safety valves

Ver	0800	0900	1000	1100	1200	1400	1600	1800	2000	2200	2400
A,E,N,U	T6NRGLS1	T6NRGLS1	T6NRGLS1	T6NRGLS1	T6NRGLS1	T6NRGLS1	T6NRGLS1	T6NRGLS2	T6NRGLS3	T6NRGLS3	T6NRGLS3

A grey background indicates the accessory must be assembled in the factory

Anti-intrusion grid

Ver	0800	0900	1000	1100	1200	1400	1600	1800	2000	2200	2400
Integrated hydronic kit: 00, DA, DB, DC, DD, DE, DF, DG, DH, DI, IA, IB, IC, ID, IE, IF, IG, IH, II, JA, JB, JC, JD, JE, JF, JG, JH, JI, PA, PB, PC, PD, PE, PF, PG, PH, PI											

A	GP2VN	GP2VN	GP3G	GP3G	GP3G	GP4GM	GP4GM	GP5G	GP5G	GP6G	GP6G
E,U	GP3G	GP3G	GP3G	GP4GM	GP4GM	GP5GM	GP5GM	GP6G	GP7G	GP7G	GP8G
N	GP4GM	GP4GM	GP4GM	GP5GM	GP5GM	GP5GM	GP6G	GP7G	GP8G	GP8G	GP9G

Integrated hydronic kit: AA, AB, AC, AD, AE, AF, AG, AH, AI, BA, BB, BC, BD, BE, BF, BG, BH, BI, CA, CB, CC, CD, CE, CF, CG, CH, CI, KA, KB, KC, KD, KE, KF, KG, KH, KI

A	GP2VNA	GP2VNA	GP3G	GP3G	GP3G	GP4GM	GP4GM	GP5G	GP5G	GP6G	GP6G
E,U	GP3G	GP3G	GP3G	GP4GM	GP4GM	GP5GM	GP5GM	GP6G	GP7G	GP7G	GP8G
N	GP4GM	GP4GM	GP4GM	GP5GM	GP5GM	GP5GM	GP6G	GP7G	GP8G	GP8G	GP9G

A grey background indicates the accessory must be assembled in the factory

PERFORMANCE SPECIFICATIONS

NRG - A

Size		0800	0900	1000	1100	1200	1400	1600	1800	2000	2200	2400
Cooling performance chiller operation (1)												
Cooling capacity	kW	223,9	245,3	284,1	324,7	368,2	419,0	462,1	535,9	599,5	654,7	692,5
Input power	kW	73,0	82,9	91,3	106,0	122,2	134,8	152,7	172,3	197,6	212,9	230,2
Cooling total input current	A	129,0	146,0	160,0	184,0	209,0	229,0	254,0	293,0	337,0	356,0	381,0
EER	W/W	3,07	2,96	3,11	3,06	3,01	3,11	3,03	3,11	3,03	3,07	3,01
Water flow rate system side	l/h	38467	42143	48813	55779	63264	71985	79391	92073	103007	112479	118984
Pressure drop system side	kPa	60	72	83	101	115	80	77	98	113	88	76
Cooling performances with free-cooling (2)												
Cooling capacity	kW	136,0	137,7	198,2	202,9	206,4	269,0	273,1	337,6	343,1	406,3	409,7
Input power	kW	7,5	7,5	11,2	11,2	11,2	15,0	15,0	18,7	18,7	22,4	22,4
Free cooling total input current	A	13,0	13,0	20,0	20,0	19,0	25,0	25,0	32,0	32,0	38,0	37,0
EER	W/W	18,20	18,42	17,67	18,09	18,40	17,99	18,27	18,06	18,36	18,11	18,26
Water flow rate system side	l/h	38467	42143	48813	55779	63264	71985	79391	92073	103007	112479	118984
Pressure drop system side	kPa	109	129	123	152	178	124	138	157	187	143	137

(1) System side water heat exchanger 12 °C/7 °C; External air 35 °C; Chiller operation 100%; Free-cooling 0%

(2) System side water heat exchanger 12 °C / * °C; External air 2°C

NRG - E

Size		0800	0900	1000	1100	1200	1400	1600	1800	2000	2200	2400
Cooling performance chiller operation (1)												
Cooling capacity	kW	226,2	251,9	274,9	324,9	370,2	416,7	456,6	531,6	606,0	638,0	691,8
Input power	kW	72,4	82,1	92,0	106,0	123,9	136,5	153,7	175,2	197,7	215,9	227,8
Cooling total input current	A	122,0	139,0	156,0	176,0	201,0	220,0	245,0	284,0	319,0	346,0	363,0
EER	W/W	3,12	3,07	2,99	3,06	2,99	3,05	2,97	3,03	3,07	2,95	3,04
Water flow rate system side	l/h	38872	43273	47230	55828	63599	71601	78444	91335	104110	109612	118851
Pressure drop system side	kPa	62	65	74	103	72	65	76	92	116	66	72
Cooling performances with free-cooling (2)												
Cooling capacity	kW	158,4	161,9	164,2	214,5	219,3	269,7	273,4	326,8	379,6	383,0	434,0
Input power	kW	7,9	7,9	7,9	10,6	10,6	13,2	13,2	15,8	18,5	18,5	21,1
Free cooling total input current	A	13,0	13,0	13,0	18,0	17,0	21,0	21,0	26,0	30,0	30,0	34,0
EER	W/W	20,02	20,46	20,75	20,33	20,78	20,45	20,73	20,65	20,56	20,74	20,57
Water flow rate system side	l/h	38872	43273	47230	55828	63599	71601	78444	91335	104110	109612	118851
Pressure drop system side	kPa	89	97	112	149	129	103	121	141	170	109	115

(1) System side water heat exchanger 12 °C/7 °C; External air 35 °C; Chiller operation 100%; Free-cooling 0%

(2) System side water heat exchanger 12 °C / * °C; External air 2°C

NRG - U

Size		0800	0900	1000	1100	1200	1400	1600	1800	2000	2200	2400
Cooling performance chiller operation (1)												
Cooling capacity	kW	233,1	260,7	285,8	336,2	385,1	431,6	474,7	552,3	627,9	664,0	717,7
Input power	kW	72,7	81,3	90,2	105,2	121,2	135,0	151,0	173,5	195,9	212,0	225,5
Cooling total input current	A	129,0	145,0	160,0	183,0	206,0	228,0	250,0	291,0	330,0	353,0	374,0
EER	W/W	3,21	3,20	3,17	3,19	3,18	3,20	3,14	3,18	3,21	3,13	3,18
Water flow rate system side	l/h	40049	44784	49102	57760	66170	74152	81560	94895	107889	114087	123303
Pressure drop system side	kPa	68	72	83	111	78	69	82	99	125	72	78
Cooling performances with free-cooling (2)												
Cooling capacity	kW	188,5	194,2	198,5	256,7	265,2	323,5	330,2	393,9	456,3	462,7	522,1
Input power	kW	11,2	11,2	11,2	15,0	15,0	18,7	18,7	22,4	26,2	26,2	29,9
Free cooling total input current	A	20,0	20,0	20,0	26,0	25,0	32,0	31,0	38,0	44,0	44,0	50,0
EER	W/W	16,81	17,32	17,70	17,17	17,74	17,31	17,66	17,56	17,44	17,68	17,46
Water flow rate system side	l/h	40049	44784	49102	57760	66170	74152	81560	94895	107889	114087	123303
Pressure drop system side	kPa	95	104	121	159	139	110	130	152	182	118	123

(1) System side water heat exchanger 12 °C/7 °C; External air 35 °C; Chiller operation 100%; Free-cooling 0%

(2) System side water heat exchanger 12 °C / * °C; External air 2°C

NRG - N

Size		0800	0900	1000	1100	1200	1400	1600	1800	2000	2200	2400
Cooling performance chiller operation (1)												
Cooling capacity	kW	232,6	258,9	286,6	334,6	383,1	422,5	473,7	546,9	617,8	658,1	707,5
Input power	kW	71,7	81,1	90,4	104,8	120,5	134,5	150,6	174,0	195,5	210,5	225,7
Cooling total input current	A	121,0	136,0	152,0	173,0	195,0	221,0	238,0	277,0	314,0	338,0	357,0
EER	W/W	3,24	3,19	3,17	3,19	3,18	3,14	3,14	3,14	3,16	3,13	3,14
Water flow rate system side	l/h	39959	44482	49239	57495	65813	72590	81381	93965	106146	113074	121557
Pressure drop system side	kPa	69	73	85	109	77	62	77	96	121	69	75
Cooling performances with free-cooling (2)												
Cooling capacity	kW	195,9	202,9	208,3	255,5	264,7	270,1	319,5	371,9	423,9	429,3	478,8
Input power	kW	10,6	10,6	10,6	13,2	13,2	13,2	15,8	18,5	21,1	21,1	23,7
Free cooling total input current	A	18,0	18,0	18,0	22,0	21,0	22,0	25,0	29,0	34,0	34,0	38,0
EER	W/W	18,57	19,23	19,74	19,37	20,07	20,48	20,19	20,14	20,09	20,34	20,17
Water flow rate system side	l/h	39959	44482	49239	57495	65813	72590	81381	93965	106146	113074	121557
Pressure drop system side	kPa	94	104	121	150	128	101	117	141	171	108	114

(1) System side water heat exchanger 12 °C/7 °C; External air 35 °C; Chiller operation 100%; Free-cooling 0%

(2) System side water heat exchanger 12 °C / * °C; External air 2 °C

ENERGY INDICES (REG. 2016/2281 EU)

Size		0800	0900	1000	1100	1200	1400	1600	1800	2000	2200	2400	
Fans: °													
SEPR - (EN 14825: 2018) (1)													
SEPR	A	W/W	6,39	6,16	6,50	6,53	6,33	6,89	6,86	6,96	6,69	6,86	6,70
	E	W/W	6,86	6,69	6,71	6,78	6,61	7,18	7,14	7,02	6,95	7,05	7,11
	N	W/W	7,38	7,16	7,09	7,12	7,04	7,39	7,47	7,30	7,18	7,33	7,40
	U	W/W	7,05	6,91	6,80	6,93	6,80	7,30	7,30	7,17	7,04	7,18	7,20

(1) Calculation performed with FIXED water flow rate.

Size		0800	0900	1000	1100	1200	1400	1600	1800	2000	2200	2400	
Fans: J													
SEPR - (EN 14825: 2018) (1)													
SEPR	A	W/W	6,63	6,37	6,71	6,69	6,49	6,93	6,95	7,05	6,79	7,02	6,87
	E	W/W	7,12	6,91	6,90	6,94	6,79	7,41	7,34	7,24	7,19	7,28	7,30
	N	W/W	7,61	7,39	7,29	7,29	7,22	7,63	7,68	7,53	7,43	7,56	7,60
	U	W/W	7,27	7,12	7,02	7,09	6,96	7,33	7,39	7,27	7,14	7,34	7,36

(1) Calculation performed with FIXED water flow rate.

ELECTRIC DATA

Size		0800	0900	1000	1100	1200	1400	1600	1800	2000	2200	2400	
Electric data													
Maximum current (FLA)	A	A	158,2	176,5	200,6	228,5	256,4	290,1	317,9	369,5	415,3	449,0	476,9
	E,U	A	164,0	182,3	200,6	234,3	262,2	295,9	323,7	375,3	426,9	454,8	488,5
	N	A	169,8	188,1	206,4	240,1	268,0	295,9	329,5	381,1	432,7	460,6	494,3
Peak current (LRA)	A	A	361,6	417,7	436,0	685,0	718,7	746,6	774,4	826,1	871,9	899,7	933,4
	E	A	361,6	417,7	441,8	690,8	718,7	752,4	780,2	831,9	877,7	911,3	939,2
	N	A	350,0	406,1	424,4	673,4	701,3	729,2	757,0	802,9	848,7	876,5	904,4
	U	A	367,4	423,5	441,8	696,6	724,5	758,2	786,0	837,7	889,3	917,1	950,8

GENERAL TECHNICAL DATA

Size		0800	0900	1000	1100	1200	1400	1600	1800	2000	2200	2400	
Compressor													
Type	A,E,N,U	type		Scroll									
Compressor regulation	A,E,N,U	Type		Asynchronous									
Number	A,E,N,U	no.	4	4	4	4	4	4	5	6	6	6	
Circuits	A,E,N,U	no.	2	2	2	2	2	2	2	2	2	2	
Refrigerant	A,E,N,U	type		R32									
Potential global heating	A,E,N,U	GWP		675kgCO ₂ eq									
System side heat exchanger													
Type	A,E,N,U	type		Braze plate									
Number	A,E,N,U	no.	1	1	1	1	1	1	1	1	1	1	
Hydraulic connections without hydronic kit													
Connections (in/out)	A,E,N,U	Type		Grooved joints									
Sizes (in/out)	A	Ø	3"	3"	3"	3"	3"	4"	4"	4"	4"	5"	5"
	E,N,U	Ø	3"	3"	3"	3"	4"	4"	4"	4"	4"	5"	5"
Hydraulic connections with hydronic kit													
Connections (in/out)	A,E,N,U	Type		Grooved joints									
Sizes (in/out)	A	Ø	3"	3"	3"	3"	3"	4"	4"	4"	4"	5"	5"
	E,N,U	Ø	3"	3"	3"	3"	4"	4"	4"	4"	4"	5"	5"

In the versions without a hydronic kit, the water filter is supplied with a connection point for making the connection. In the versions with a hydronic kit, it is supplied ready-mounted.

SOUND DATA

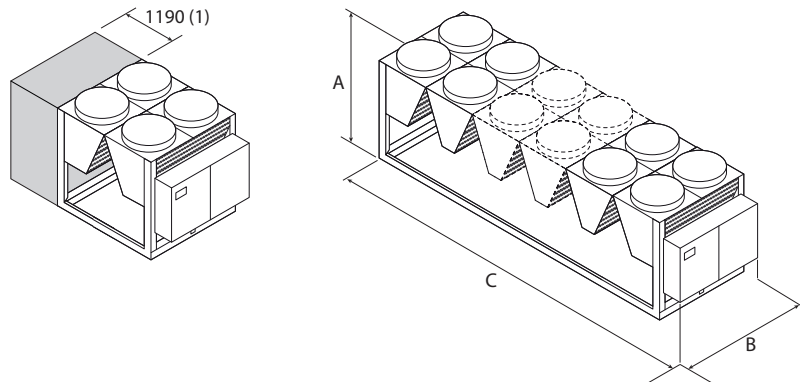
Size			0800	0900	1000	1100	1200	1400	1600	1800	2000	2200	2400
Fans: °, J													
Sound data calculated in cooling mode (1)													
Sound power level	A	dB(A)	90,5	90,5	90,5	90,8	91,1	92,1	92,3	93,1	93,4	94,2	94,3
	E	dB(A)	84,4	84,5	84,5	85,8	86,5	87,6	88,1	88,6	89,0	89,7	90,2
	N	dB(A)	85,3	85,4	85,4	86,9	87,6	88,1	89,0	89,4	89,8	90,5	91,0
	U	dB(A)	90,8	90,8	90,8	92,2	92,5	93,5	93,6	94,3	94,9	95,0	95,6
Sound pressure level (10 m)	A	dB(A)	58,4	58,4	58,2	58,6	58,9	59,7	59,9	60,5	60,9	61,5	61,7
	E	dB(A)	52,2	52,2	52,3	53,4	54,1	55,1	55,6	55,9	56,2	56,9	57,3
	N	dB(A)	52,9	53,0	53,0	54,4	55,0	55,6	56,3	56,6	56,9	57,6	58,0
	U	dB(A)	58,5	58,5	58,5	59,8	60,1	60,9	61,1	61,7	62,1	62,2	62,7

(1) Sound power calculated on the basis of measurements made in accordance with UNI EN ISO 9614-2, as required for Eurovent certification. Sound pressure (cold functioning) measured in free field, 10m away from the unit external surface (in compliance with UNI EN ISO 3744).

FANS DATA

Size			0800	0900	1000	1100	1200	1400	1600	1800	2000	2200	2400
Fans: °, J													
Fan													
Type	A,E,N,U	type	Axial										
Number	A	no.	4	4	6	6	6	8	8	10	10	12	12
	E,U	no.	6	6	6	8	8	10	10	12	14	14	16
	N	no.	8	8	8	10	10	10	12	14	16	16	18
Air flow rate	A	m³/h	57976	57976	86965	86965	86965	115954	115953	144941	144941	173929	173929
	E	m³/h	63933	63933	63933	85244	85244	106555	106555	127866	149177	149177	170487
	N	m³/h	85244	85244	85244	106555	106555	106555	127866	149177	170488	170488	191798
	U	m³/h	86963	86963	86963	115959	115959	144934	144934	173932	202921	202921	231902

DIMENSIONS



Key:

1 Additional module needed to contain the hydronic kit with "accumulation" option in sizes: 0800 A- 0900 A

Size			0800	0900	1000	1100	1200	1400	1600	1800	2000	2200	2400
Integrated hydronic kit: 00, DA, DB, DC, DD, DE, DF, DG, DH, DI, IA, IB, IC, ID, IE, IF, IG, IH, II, JA, JB, JC, JD, JE, JF, JG, JH, JI, PA, PB, PC, PD, PE, PF, PG, PH, PI													
Dimensions and weights													
A	A,E,N,U	mm	2450	2450	2450	2450	2450	2450	2450	2450	2450	2450	2450
B	A,E,N,U	mm	2200	2200	2200	2200	2200	2200	2200	2200	2200	2200	2200
C	A	mm	2780	2780	3970	3970	3970	5160	5160	6350	6350	7540	7540
	E,U	mm	3970	3970	3970	5160	5160	6350	6350	7540	8730	8730	9650
	N	mm	5160	5160	5160	6350	6350	6350	7540	8730	9650	9650	11110
Integrated hydronic kit: AA, AB, AC, AD, AE, AF, AG, AH, AI, BA, BB, BC, BD, BE, BF, BG, BH, BI, CA, CB, CC, CD, CE, CF, CG, CH, CI, KA, KB, KC, KD, KE, KF, KG, KH, KI													
Dimensions and weights													
A	A,E,N,U	mm	2450	2450	2450	2450	2450	2450	2450	2450	2450	2450	2450
B	A,E,N,U	mm	2200	2200	2200	2200	2200	2200	2200	2200	2200	2200	2200
C	A	mm	3970	3970	3970	3970	3970	5160	5160	6350	6350	7540	7540
	E,U	mm	3970	3970	3970	5160	5160	6350	6350	7540	8730	8730	9650
	N	mm	5160	5160	5160	6350	6350	6350	7540	8730	9650	9650	11110

Aermec reserves the right to make any modifications deemed necessary. All data is subject to change without notice. Aermec does not assume responsibility or liability for errors or omissions.

Aermec S.p.A.

Via Roma, 996 - 37040 Bevilacqua (VR) - Italia
Tel. 0442633111 - Telefax 044293577
www.aermec.com